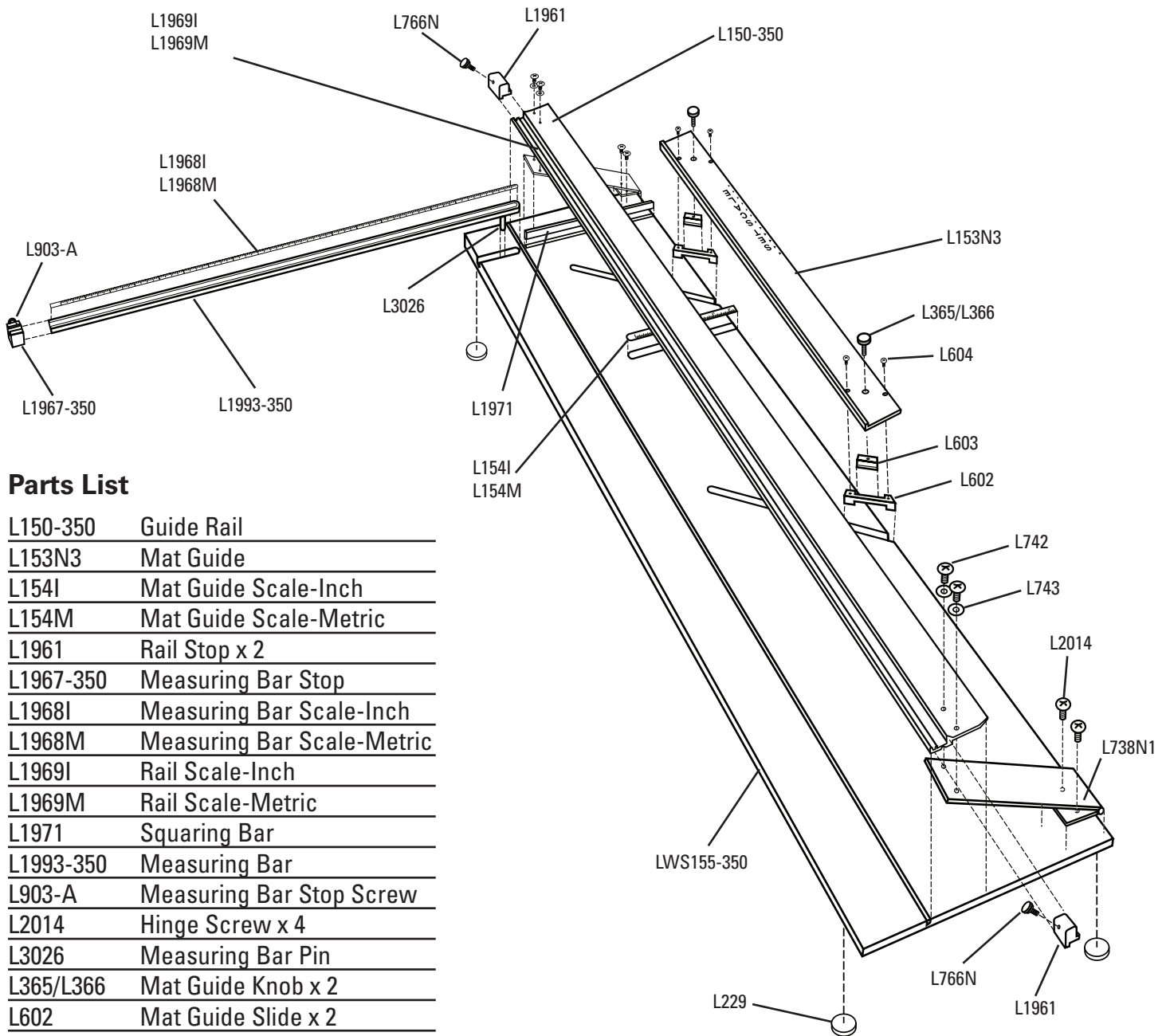


COMPACT ELITE MAT CUTTER

MODEL 350-1

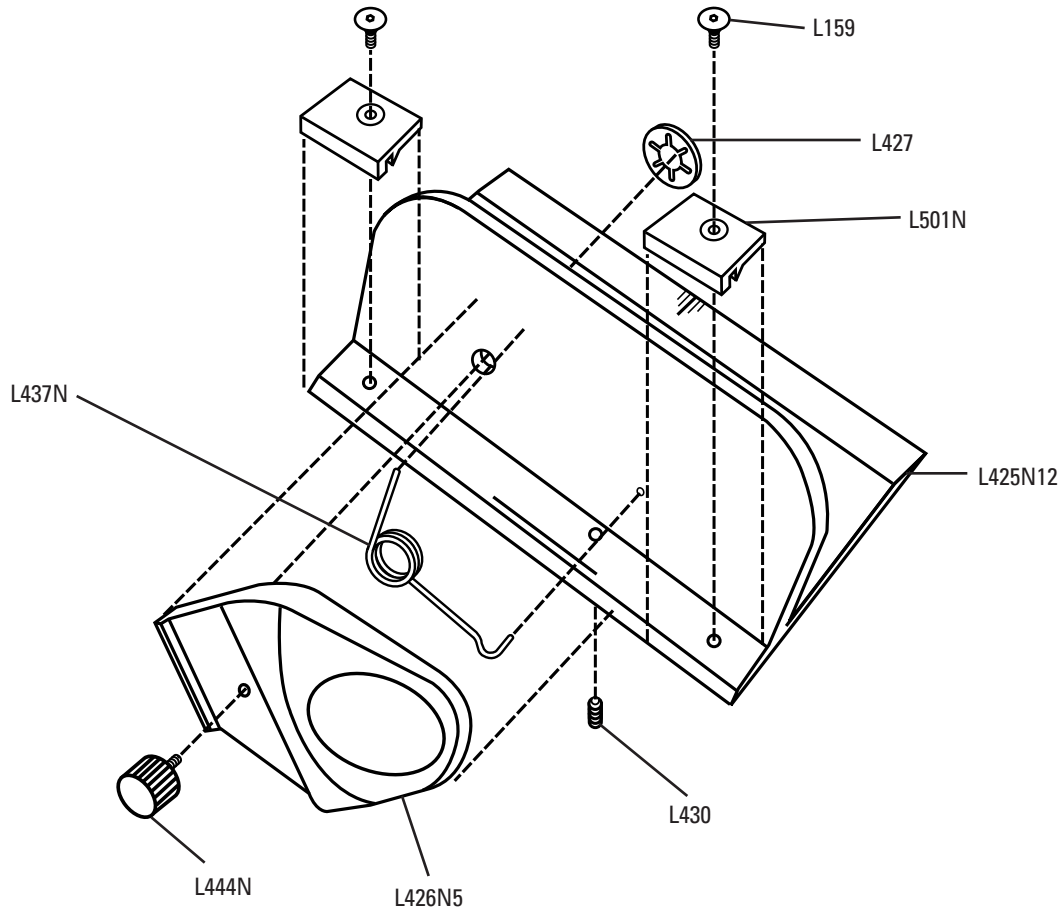
PARTS DIAGRAM



Parts List

L150-350	Guide Rail
L153N3	Mat Guide
L154I	Mat Guide Scale-Inch
L154M	Mat Guide Scale-Metric
L1961	Rail Stop x 2
L1967-350	Measuring Bar Stop
L1968I	Measuring Bar Scale-Inch
L1968M	Measuring Bar Scale-Metric
L1969I	Rail Scale-Inch
L1969M	Rail Scale-Metric
L1971	Squaring Bar
L1993-350	Measuring Bar
L903-A	Measuring Bar Stop Screw
L2014	Hinge Screw x 4
L3026	Measuring Bar Pin
L365/L366	Mat Guide Knob x 2
L602	Mat Guide Slide x 2
L603	Mat Guide Wedge x 2
L604	Mat Guide Slide Screw x 4
L738N1	Hinge x 2
L766N	Rail Stop Screw x 2
L229	Feet x 4
LWS155-350	Board
L742	Guide Rail Screw x 4
L743	Guide Rail Washer x 4



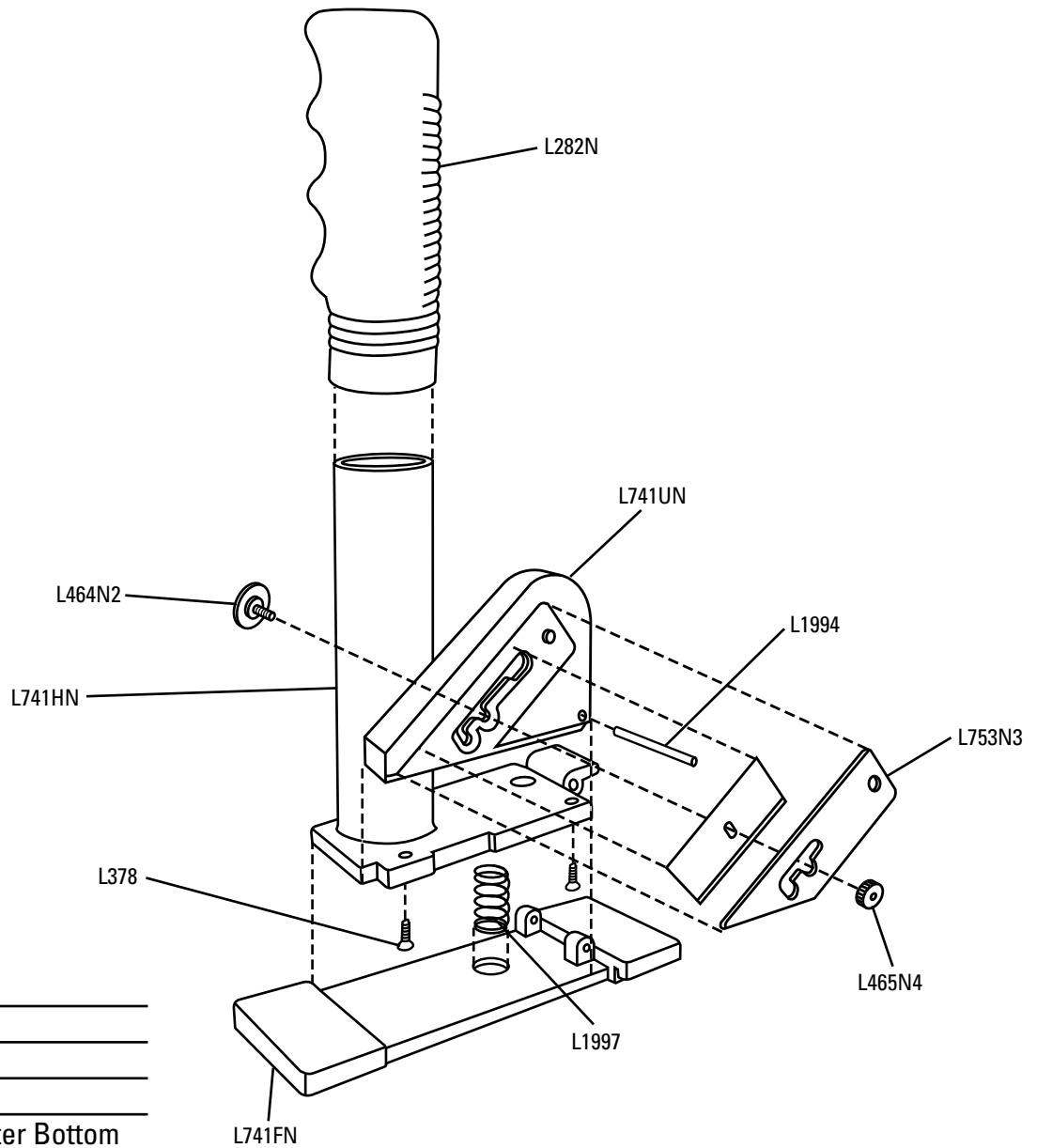
**Parts List**

L425N12	Cutting Head
L426N5	Blade Holder
L427	Push Nut
L430	Depth Screw
L444N	Blade Knob
L501N	Nylon Guide X 2
L159	Screw X 2
L437N	Spring

ARTIST ELITE STRAIGHT CUTTER

MODEL 701-1

PARTS DIAGRAM



Parts List

L282N	Handle Grip
L378	Screw x 2
L464N2	Bolt
L465N4	Nut
L741FN	Straight Cutter Bottom
L741HN	Straight Cutter Handle
L741UN	Straight Cutter Upright
L753N3	Cover Plate
L1994	Hinge Pin
L1997	Spring

