

FRAME GLUING SYSTEM

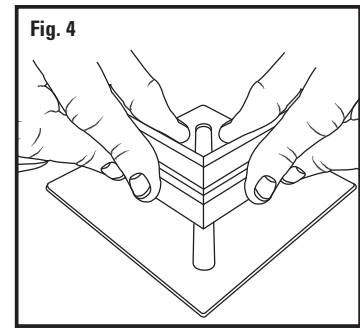
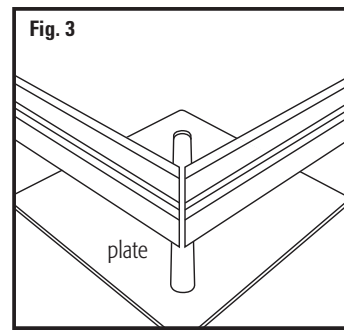
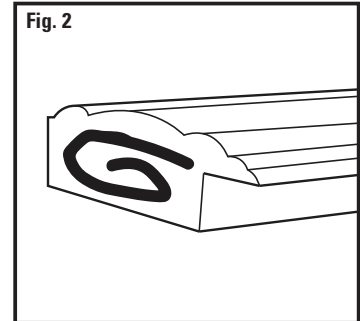
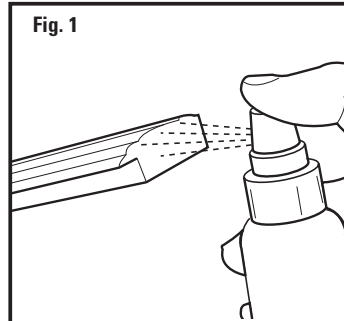


Operating Instructions

1. Spray F62 accelerator on one side of frame (**Fig. 1**)
2. Apply F61 glue to other side of frame. (**Fig. 2**)
3. Align frame joint over slot in plate. (**Fig. 3**)

NOTE: Slot allows for glue overflow.

4. Press corners together for 10 seconds. Bond will be instant. Full cure in 24 hours. (**Fig. 4**)



HELPFUL HINT Add a Vnail to corners to provide additional joint security on larger frames.

HELPFUL HINT Place small sheet of paper under plate in case of glue drops.

HELPFUL HINT See YouTube video for more details: www.youtube.com/logangraphic

**TURBO SET I
DANGER**

Flammable liquid and vapor.

May be fatal if swallowed and enters airways.

Keep away from heat/sparks/open flames/hot surfaces. -- No smoking. Ground/bond container and receiving equipment.

Use explosion-proof electrical, ventilating, and lighting equipment. Use only non-sparking tools. Take precautionary measures against static discharge.

Wear protective gloves and eye/face protection.

FIRST AID: IF SWALLOWED: Immediately call a POISON CENTER or doctor/physician. Do NOT induce vomiting. IF ON SKIN (or hair): Take off immediately all contaminated clothing. Rinse skin with water/shower.

In case of fire: Use water fog, foam, dry chemical or carbon dioxide (CO2) to extinguish. Keep container tightly closed and store locked-up in a cool, well-ventilated place.

Dispose of contents and container in accordance with local regulations.

Instant Glue Gel
WARNING

Causes skin irritation. Causes serious eye irritation. May cause respiratory irritation. Wear protective gloves & clothing/eye protection/face protection.

FIRST AID: IF ON SKIN: Wash with plenty of soap and water. NEVER use solvents or thinners.

IF IN EYES: Rinse eyes with cool water for several minutes. Remove contact lenses, if present and easy to do. Continue rinsing. If eye or skin irritation persists: Get medical advice/attention.

IF INHALED: Remove victim to fresh air and keep at rest.

IF INGESTED: Seek immediate medical attention. NEVER induce vomiting.

BONDS SKIN AND EYES IN SECONDS. KEEP OUT OF REACH OF CHILDREN!

Dispose of contents and container in accordance with local regulations.

